

### WELDED TERMINAL CONNECTOR

#### SWA-A-N for Cable

Weld type

Application: Cable to Two or Four Hole Pad (offset terminal)

**EHV RATED: UP TO 550 kV**  
when used with shielding caps

Material: Cast 356 Aluminum Alloy

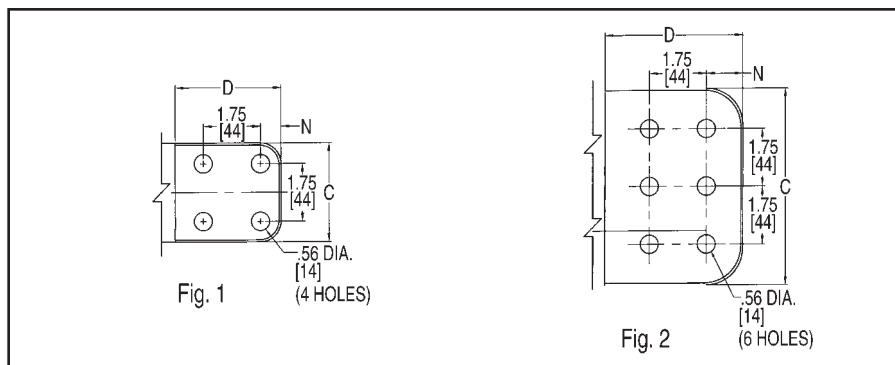
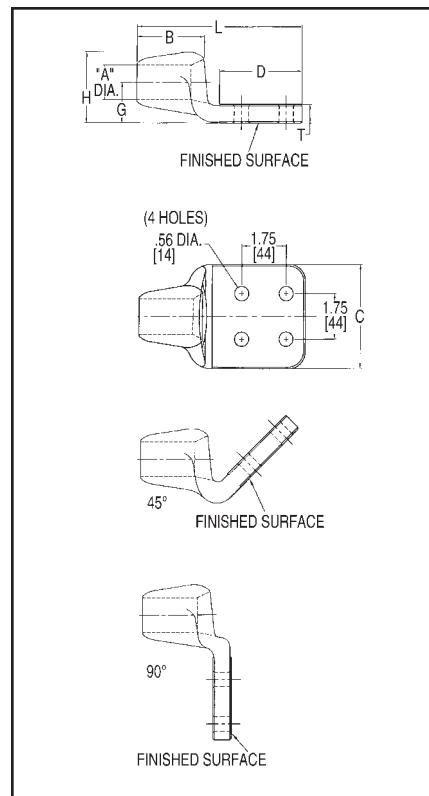
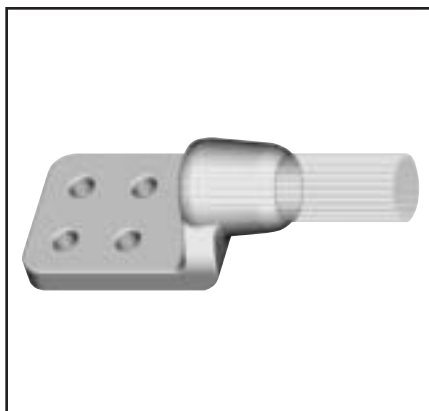


Fig. 1 (4 HOLES)

Fig. 2 (6 HOLES)

H-10

CATALOG NUMBERS	ACCOMMODATES "A" DIA.		STR.	MAX. DIA.	MAX. DIA.	FIG. NO.	B	C	D	G	H	L	N	T
	ALUM. CABLE	ACSR CABLE												
SWA44R-44N	700 kcmil THRU 874.5 kcmil	605 kcmil THRU 874.5 kcmil	26-7 30-19	.961 [24]	1.085 [28]	1	1.50 [38]	4.00 [102]	4.25 [108]	1.12 [28]	2.00 [51]	6.25 [159]	1.12 [28]	.50 [13]
SWA48A-44N	2000 kcmil THRU 2250 kcmil	2167 kcmil	72-7	1.606 [41]	1.740 [44]	1	2.62 [67]	4.00 [102]	4.25 [108]	1.83 [47]	3.18 [81]	7.50 [191]	1.12 [28]	.82 [21]
SWA54R-44N	1400 kcmil THRU 1600 kcmil	1272 kcmil THRU 1510.5 kcmil	45-7	1.341 [34]	1.470 [37]	1	2.00 [51]	4.00 [102]	4.25 [108]	1.38 [35]	2.56 [65]	6.56 [167]	1.12 [28]	.56 [14]
SWA58R-44N	1700 kcmil THRU 1900 kcmil	1510.5 kcmil THRU 1780 kcmil	54-49 54-19	1.471 [37]	1.605 [41]	1	2.50 [64]	4.00 [102]	4.25 [108]	1.58 [40]	2.83 [72]	7.25 [184]	1.12 [28]	.69 [18]
SWA444A-44N	900 kcmil THRU 1100 kcmil	795 kcmil THRU 954 kcmil	54-7	1.086 [28]	1.210 [31]	1	1.75 [44]	4.00 [102]	4.25 [108]	1.21 [31]	2.19 [56]	6.56 [167]	1.12 [28]	.50 [13]
SWA454A-4N	1113 kcmil THRU 1351.1 kcmil	1033.5 kcmil THRU 1192.5 kcmil	45-7 54-19	1.211 [31]	1.340 [34]	1	2.00 [51]	3.00 [76]	3.00 [76]	1.22 [31]	2.31 [59]	5.44 [138]	.62 [57]	.50 [13]
SWA486A-4N	2300 kcmil THRU 2500 kcmil	2156 kcmil THRU 2300 kcmil	84-19 96-19	1.741 [44]	1.875 [48]	1	2.62 [67]	3.00 [76]	3.00 [76]	1.84 [47]	3.31 [84]	6.12 [156]	.62 [57]	1.12 [28]
SWA486A-44N	2300 kcmil THRU 2500 kcmil	2156 kcmil THRU 2300 kcmil	84-19 96-19	1.741 [44]	1.875 [48]	1	2.62 [67]	4.00 [102]	4.25 [108]	1.84 [47]	3.31 [84]	7.50 [191]	1.12 [28]	1.12 [28]
SWA486A-66N	2300 kcmil THRU 2500 kcmil	2156 kcmil THRU 2300 kcmil	84-19 96-19	1.741 [44]	1.875 [48]	2	2.62 [67]	6.00 [152]	4.25 [108]	1.84 [47]	3.31 [84]	7.50 [191]	1.12 [28]	1.12 [28]
SWA493R-4N	3000 kcmil	—	127 169	1.876 [48]	2.05 [52]	1	3.00 [76]	3.00 [76]	3.00 [76]	2.12 [54]	3.75 [92]	6.75 [172]	.62 [16]	1.00 [25]

**NOTES:**

- Dimensions in brackets [ ] are in millimeters.
- DOES NOT INCLUDE SHIELDING CAPS. For EHV applications, shielding caps are required. Order separately (type) shown on page 32 or ADD SUFFIX "STS" to catalog number (example: SWA54R-44NSTS), includes one shielding cap.
- One surface of pad finished. For finished pad on both sides add SUFFIX "Q" to the catalog number (example: SWA22A-44NQ).
- For 45 or 90 degree angle add SUFFIX "45" or "90" to catalog number (example: SWA54R-44N90).